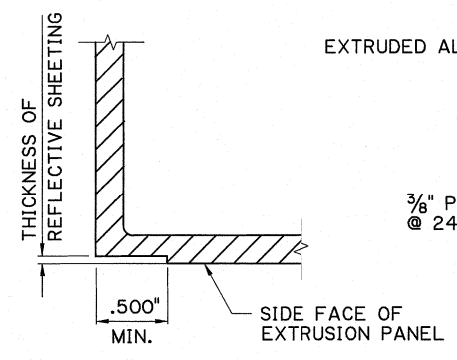
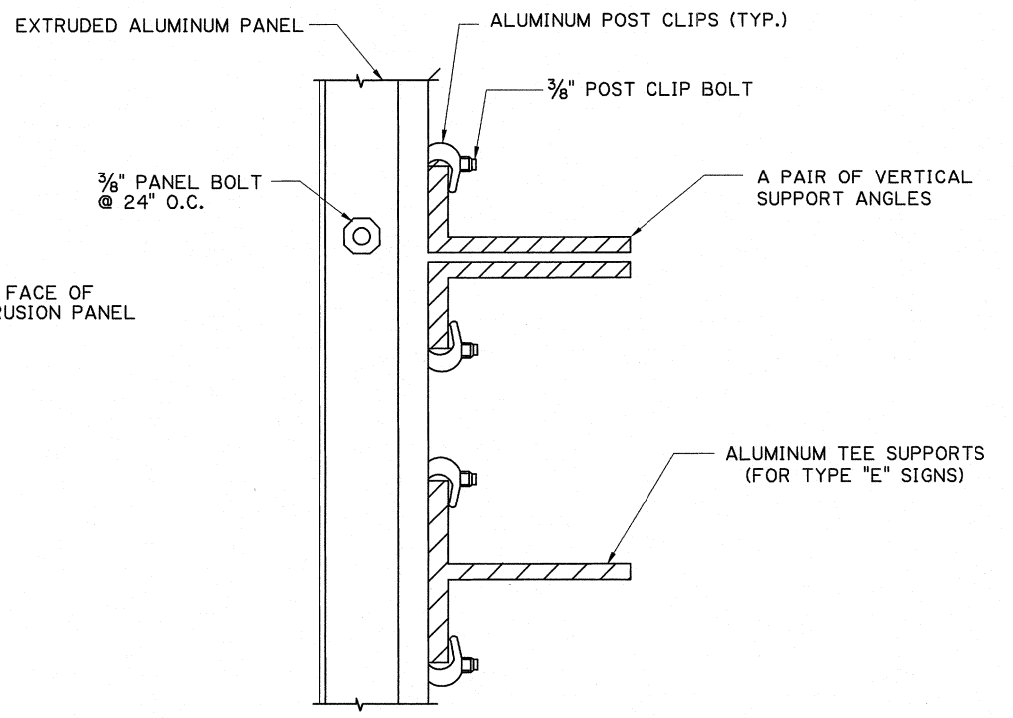


DETAIL "A"

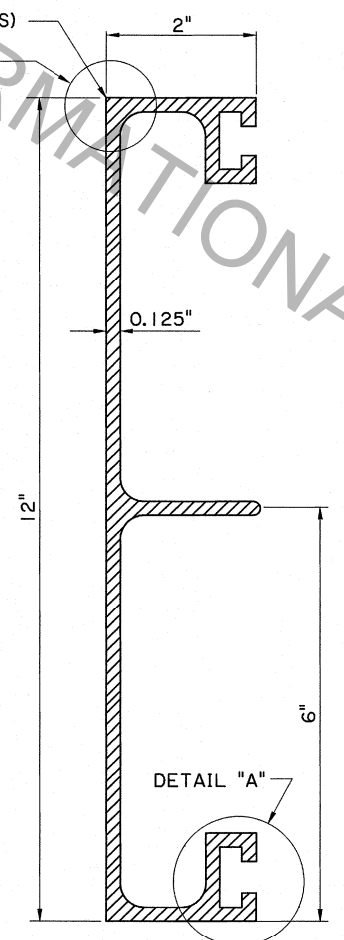


DETAIL "B"



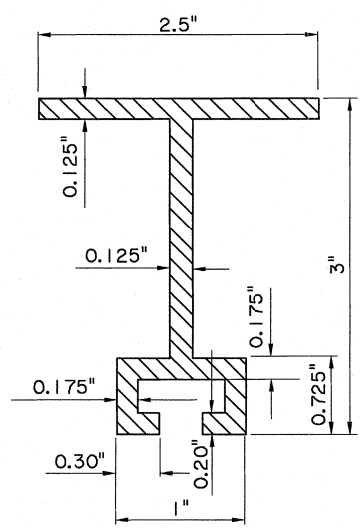
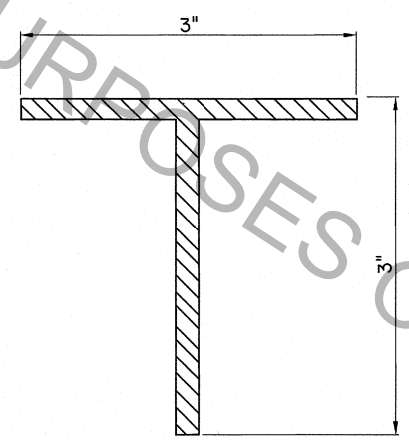
0.031" R (TYP. FACE CORNERS)

DETAIL "B"



12" PANEL

MINIMUM WALL THICKNESS IS 0.080" UNLESS OTHERWISE SPECIFIED



ALUMINUM TEE SUPPORTS (FOR TYPE "E" SIGNS)



Kurt M. Brauner
8/29/11

FOR INFORMATIONAL PURPOSES ONLY

| | | | | | |
|--------------|--|---------------------------------------|--|------------------------------|--|
| SHEET NUMBER | | PARISH | | DESIGNED | |
| | | K. BRAUNER | | CHECKED | |
| | | I. KORILOVA | | DATE | |
| | | P. FOSSIER | | JAN. 2011 | |
| | | K. BRAUNER | | SHEET | |
| | | FEDERAL PROJECT | | 4 OF 16 | |
| | | STATE PROJECT | | BY | |
| | | PROJECT | | DATE | |
| | | NO. | | REVISION DESCRIPTION | |
| | | EXTRUDED ALUMINUM PANELS | | BRIDGE AND STRUCTURAL DESIGN | |
| | | BD.2.7.1.0.4 - OVERHEAD TRAFFIC SIGNS | | | |